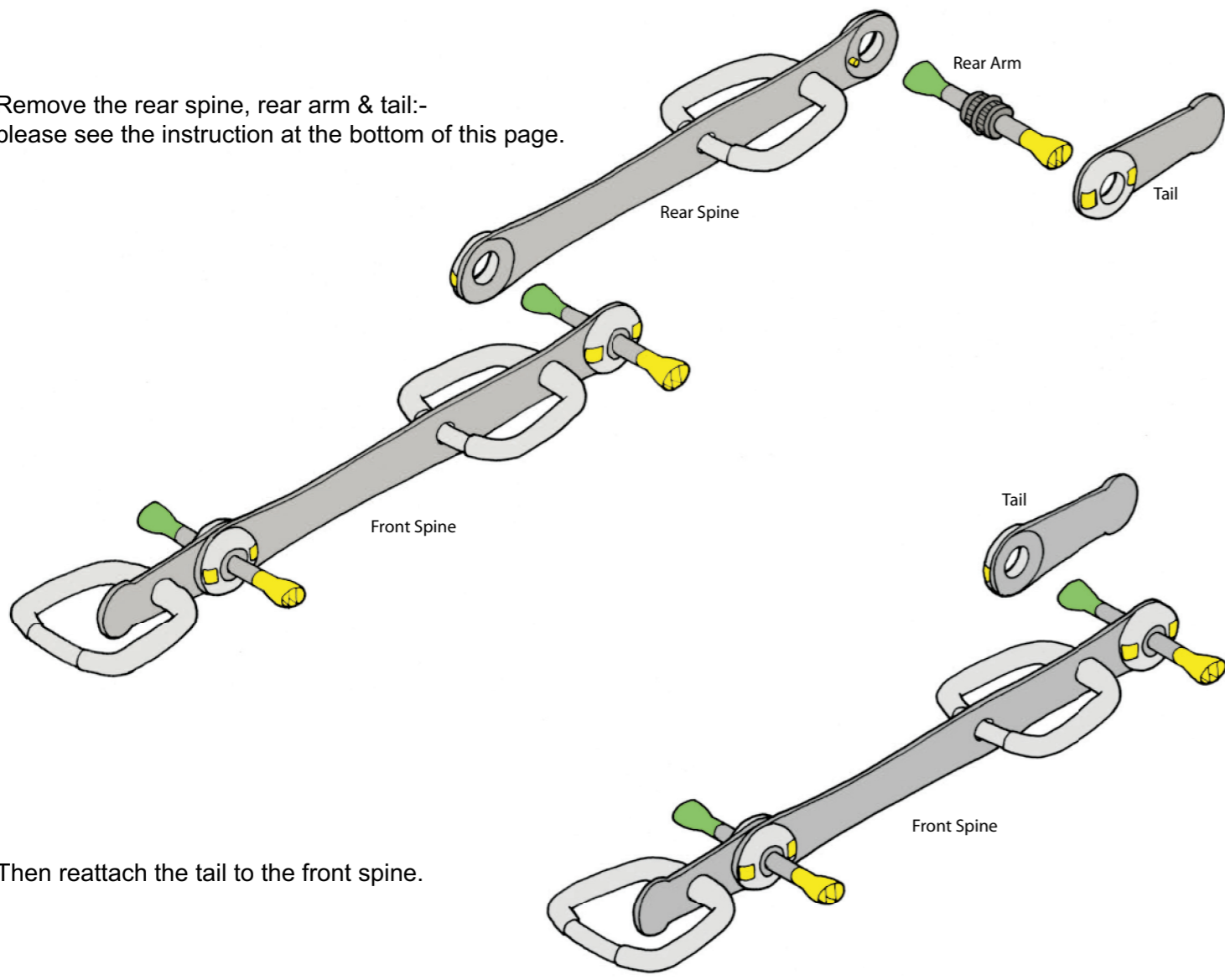
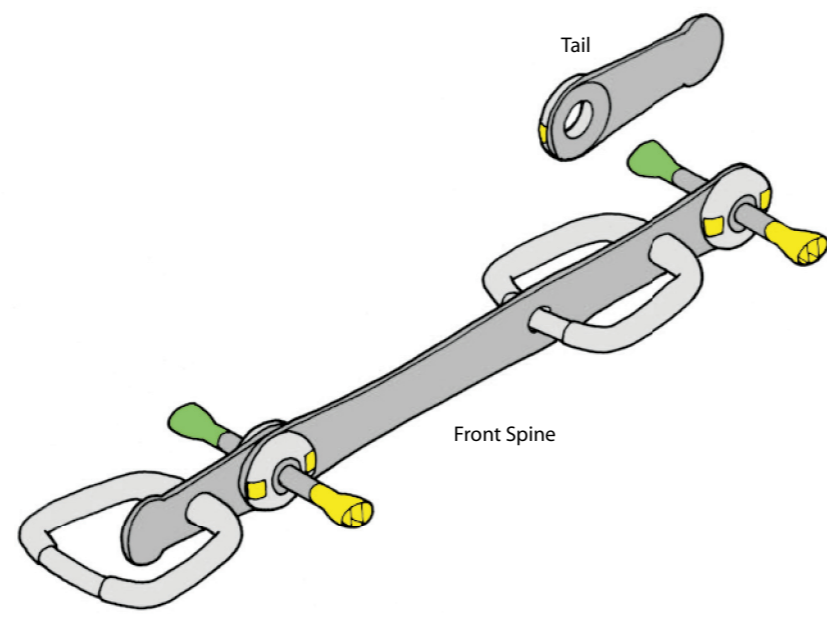


Converting a Six child to a Four child **WALKODILE®** child safety walker

a) Remove the rear spine, rear arm & tail:- please see the instruction at the bottom of this page.

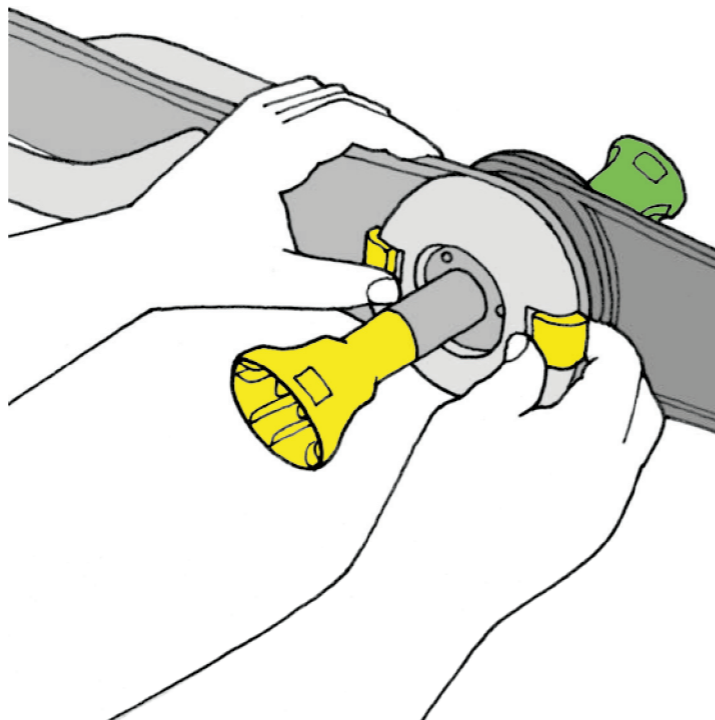


b) Then reattach the tail to the front spine.



To store in the rucksack

WALKODILE® needs to be separated into 4 parts (front handle, front & rear spines, tail) to fit in the rucksack. Undo the parts by, on one side of each joint, pushing the 2 yellow buttons outwards. Leave the arms attached to the other half of the joints. Put the 4 parts into the rucksack alongside the harnesses and these instructions.



WALKODILE® child safety walker

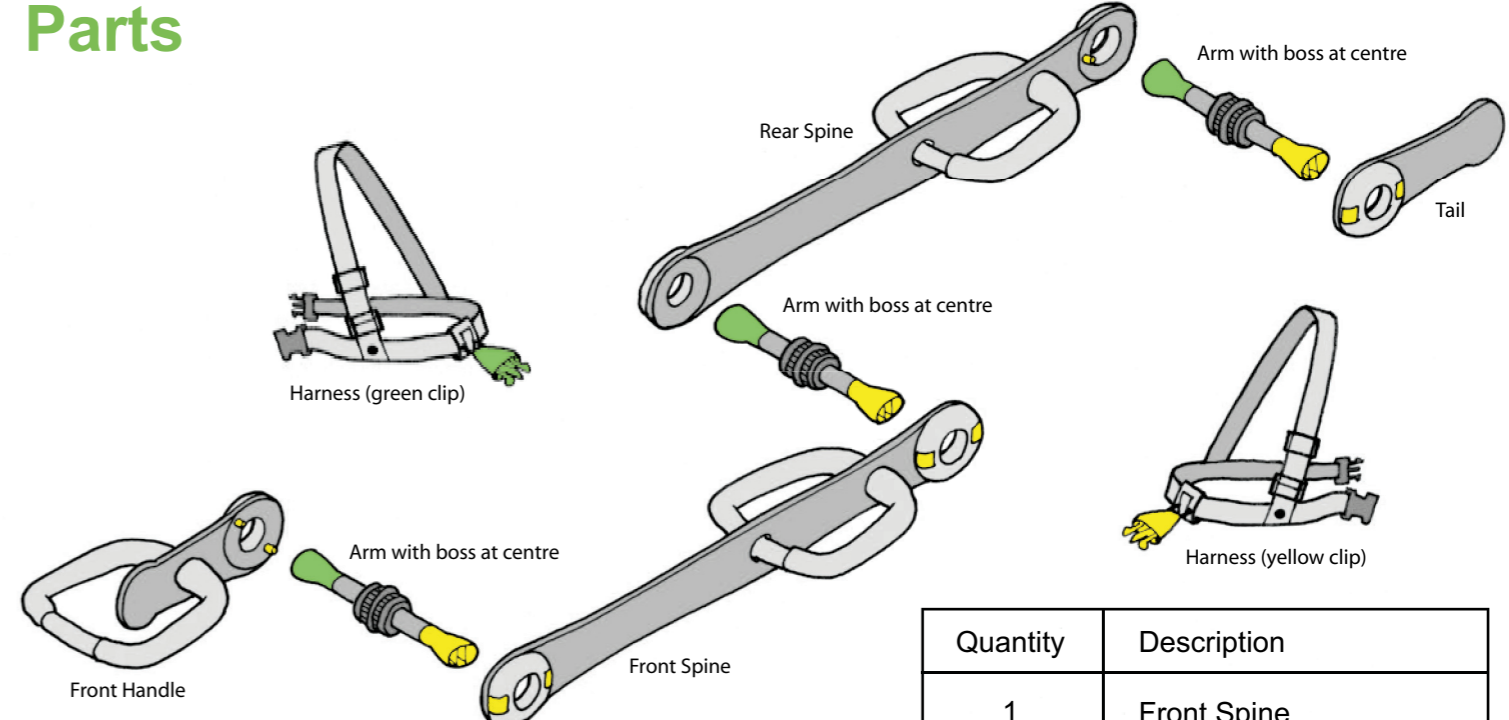
Assembly Instructions

WALKODILE® comes as a set of parts that have to be assembled before use. We recommend that you assemble WALKODILE® well ahead of when you need to use it. You will familiarize yourself with the different parts and ways in which these clip together and undo. Partly- assembled, WALKODILE® can then be stored in its rucksack for quick assembly with the children.

WALKODILE® can be put together either in a Six child format or, by omitting the rear spine and arm, in a Four child format. Decide which version you require the most and go to the appropriate section below.

Once assembly is complete, please refer to the separate User Instructions for safe operation of WALKODILE®.

Parts



2006 Red Island Ltd., AB42 1UA, UK.
The images here and the designs of the products shown are the property of Red Island Ltd. and shall not be reproduced or copied without the prior consent in writing of the proprietor. ©2002-2006 Red Island Limited. International Patents applied for. Registered Designs EU 79041-0001, 367420-001 & GB3011881. US Patent 491114. The WALKODILE® child safety walker is protected by Patent Applications, Registered Designs, Registered Trademarks and Copyright in more that one country. Distributed by Discount School Supply. 1-800-627-2829, www.DiscountSchoolSupply.com

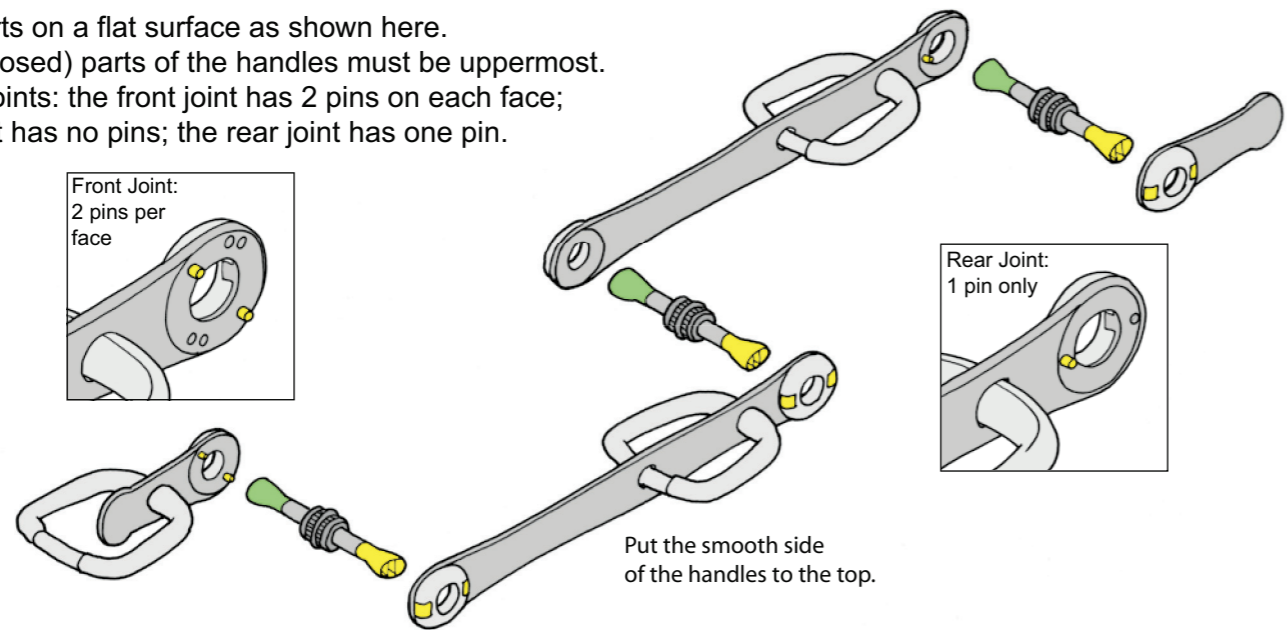
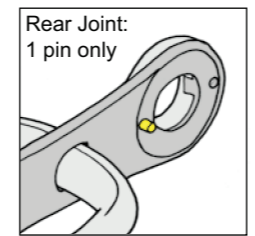
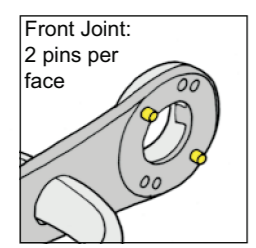
Quantity	Description
1	Front Spine
1	Rear Spine
3	Arms
1	Front Handle
1	Tail
3	Harnesses (green clips)
3	Harnesses (yellow clips)
1	Rucksack
1	Assembly Instructions
1	User Instructions

Keep these instructions in the WALKODILE® Rucksack

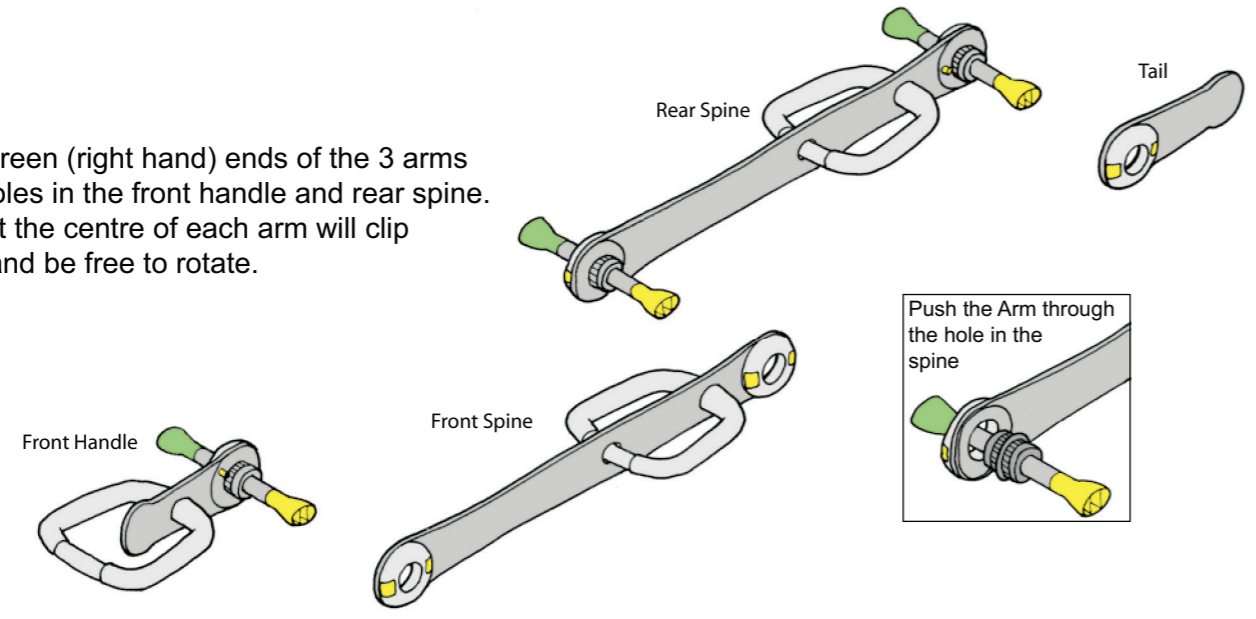
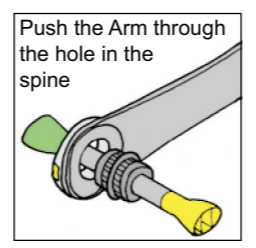
To assemble a Six child **Walkodile**[®]

child safety walker

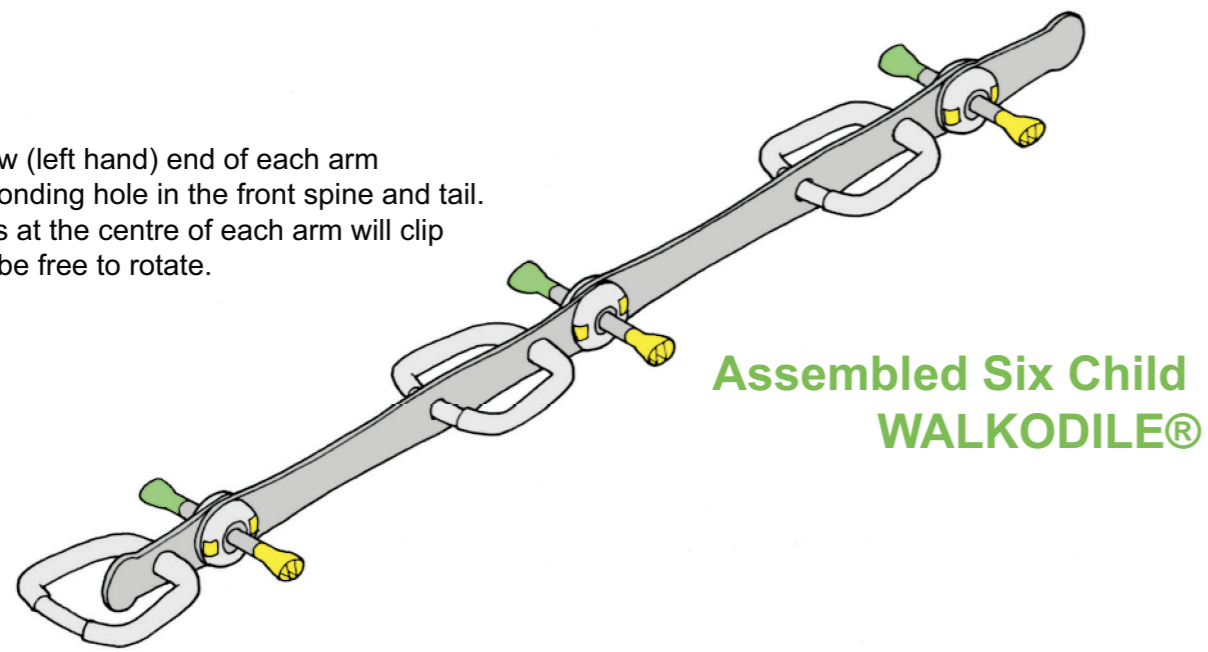
a) Line up the parts on a flat surface as shown here.
The smooth (closed) parts of the handles must be uppermost.
Match up the joints: the front joint has 2 pins on each face;
the middle joint has no pins; the rear joint has one pin.



b) Insert the green (right hand) ends of the 3 arms
into their holes in the front handle and rear spine.
The boss at the centre of each arm will clip
into place and be free to rotate.



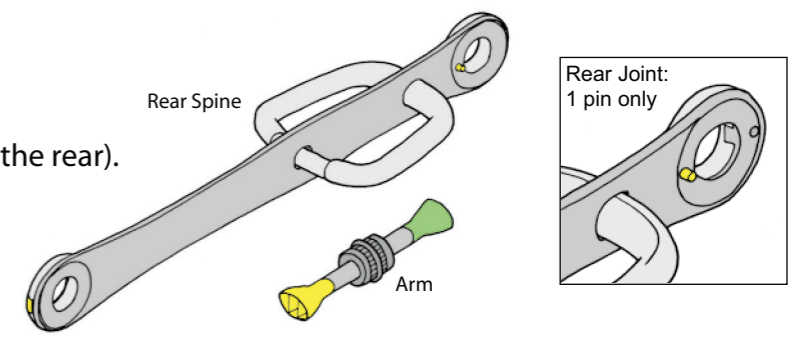
c) Insert the yellow (left hand) end of each arm
into its corresponding hole in the front spine and tail.
Again, the boss at the centre of each arm will clip
into place and be free to rotate.



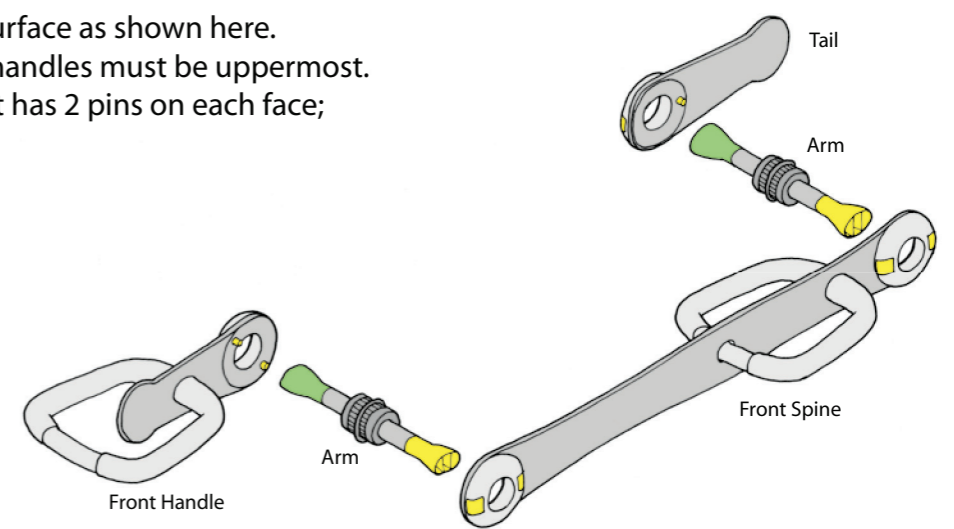
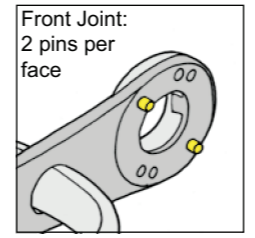
To assemble a Four child **Walkodile**[®]

child safety walker

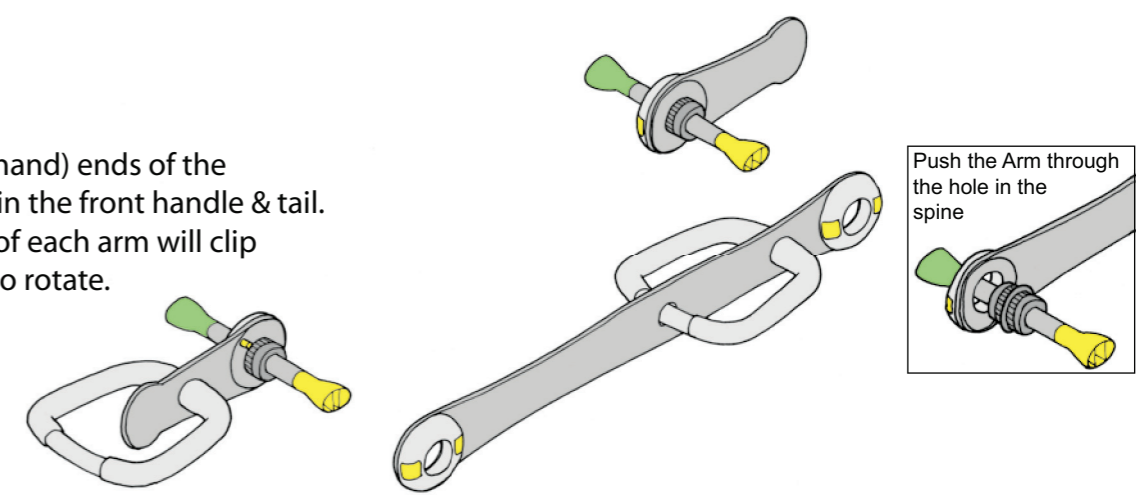
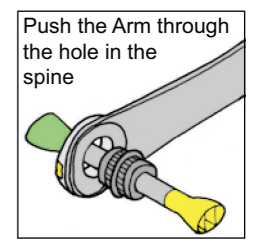
a) Identify and leave out the rear spine.
(This has no pins on its front joint and one pin on the rear).
Leave out one of the arms as well.



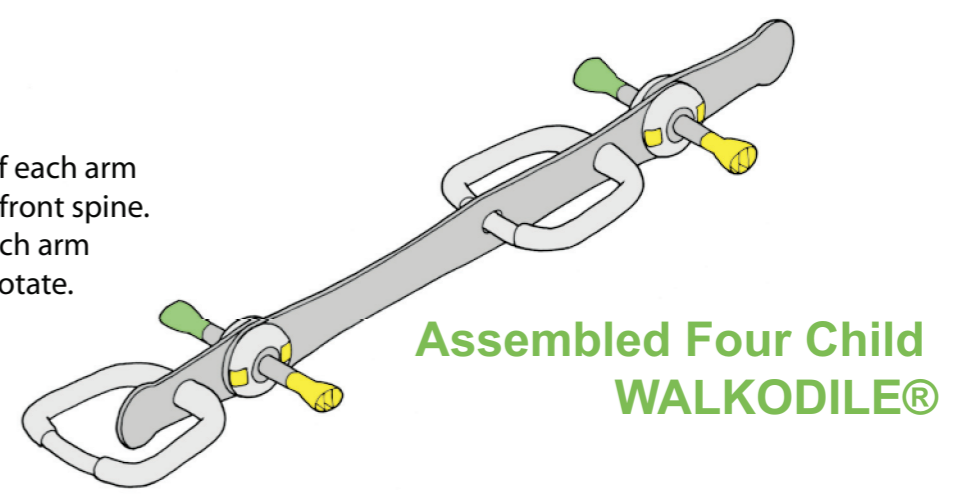
b) Line up the other parts on a flat surface as shown here.
The smooth (closed) parts of the handles must be uppermost.
Match up the joints: the front joint has 2 pins on each face;
the rear joint has one pin.



c) Insert the green (right hand) ends of the
2 arms into their holes in the front handle & tail.
The boss at the centre of each arm will clip
into place and be free to rotate.



d) Insert the yellow (left hand) end of each arm
into its corresponding hole in the front spine.
Again, the boss at the centre of each arm
will clip into place and be free to rotate.



Releasing children from WALKODILE®

child safety walker

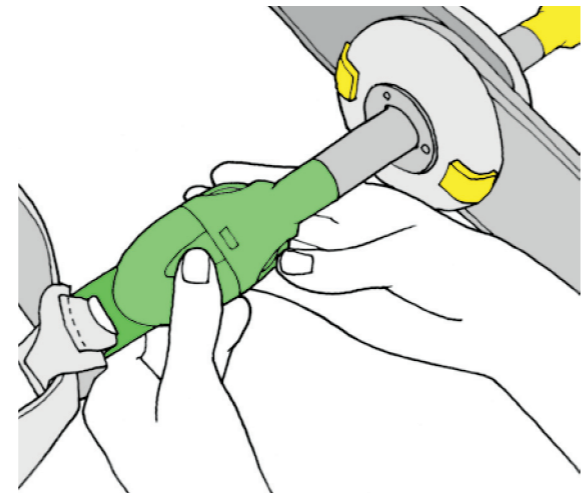
Only adults must disconnect the children from WALKODILE®.

Undo the green & yellow harness clips from WALKODILE® 's arms **before** you take the harnesses off the children.

The clips have a two stage release:
 - depress & hold in the small buttons on the top & bottom of the harness clip.
 - then depress the two catches at the sides to release the harness clip.

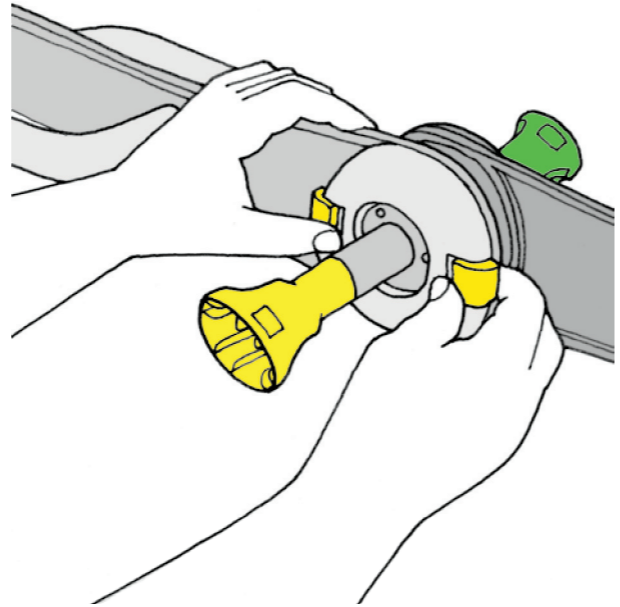
If you are going to resume the walk using WALKODILE® after the children have completed their activity, it is a good idea to leave their harnesses on.
 It makes the children easier to identify and saves time when you come to reattach them to WALKODILE®.

However, remove the harnesses from the children if their activities may cause the harnesses to create a choking or strangulation hazard. For example: remove them if the children are going to climb anything or use play equipment!



To store in the Rucksack

WALKODILE® needs to be separated into 4 parts (front handle, front & rear spines, tail) to fit in the rucksack.
 Undo the parts by, on one side of each joint, pushing the 2 yellow buttons outwards.
 Leave the arms attached to the other half of the joints.
 Put the 4 parts into the rucksack alongside the harnesses and these instructions.



Care & cleaning of WALKODILE®

Keep the joints and clips clear of any sand, grit, dust and fluff.
 Vacuum them clean or rinse under cold running water.
 Air dry.
 When required clean the plastic surfaces and harnesses with warm water and a mild washing up detergent using a soft brush.
 Air dry.
 Do not use abrasive materials or solvents on WALKODILE®.

WALKODILE®

child safety walker

User Instructions

Please read these instructions carefully before you use WALKODILE®.

Correct use of WALKODILE® improves the safety of the children using it and gives their supervisors better control of the group.

Use of WALKODILE® does not mean less adult supervisors on walking trips. Childcare staff must provide adequate supervision in line with risk assessment for the trip and within prevailing Health & Safety guidelines.

The WALKODILE® child safety walker links children together, in pairs, and improves their safety when they walk together on activities outside school and nursery premises.
 The flexibility of WALKODILE® and the rotation of its middle joint mean that it can be used around corners and up & down stairs. Supervisors must always take extra care negotiating stairs or steps with children, whether using WALKODILE® or not.

WALKODILE® can be assembled either in Four or Six child formats (see Assembly Instructions).
 Occupy all 4 or 6 positions when using WALKODILE®, i.e. do not leave any connection point unused.

WALKODILE® is only suitable for children from the age of 3 – 7 years.

Each WALKODILE® must be supervised by adults who have read and understood these instructions.

Children must not be left unattended while attached to WALKODILE®.
 Although the children are attached to WALKODILE® it is possible for them to learn how to release themselves. Supervisors must bear this in mind whilst using the safety walker.

Do not use WALKODILE® inside buildings.

Do not use WALKODILE® on escalators or elevators or on any form of vehicular transport.
 Disconnect the children (in their harnesses) from WALKODILE® before using elevators, escalators or vehicular transport. The harnesses can be left on the children for ease of identification and reattachment later.

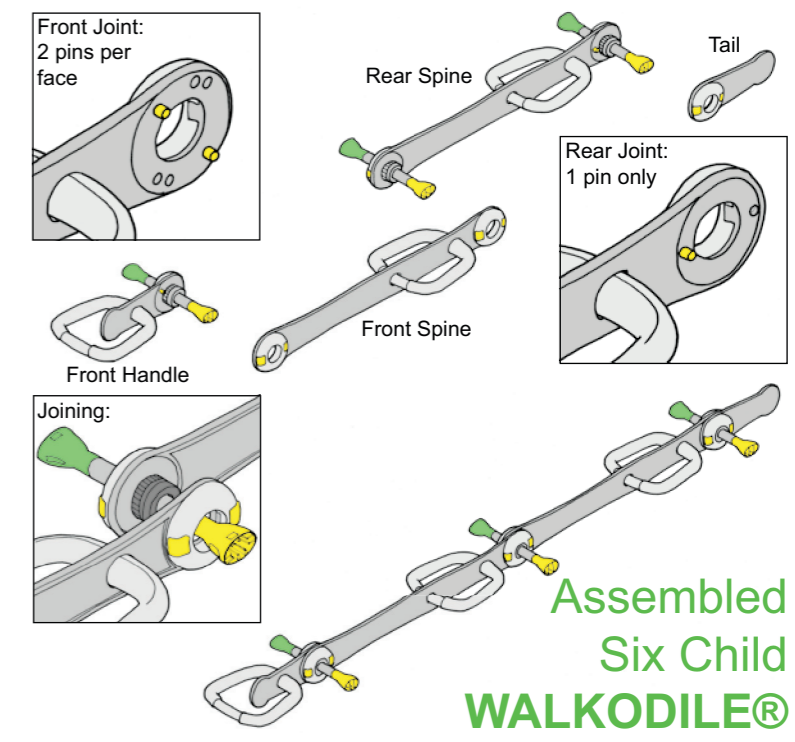
When WALKODILE® is not in use (& not in its rucksack) undo the middle joint and separate into two halves to prevent it folding and trapping fingers. (see To Store in the Rucksack, below).

Using the WALKODILE® out of the Rucksack

The Six child WALKODILE® should have already been assembled from its parts, then stored partially assembled, alongside the harnesses, in the rucksack. (See Assembly Instructions)

Remove the four parts from the rucksack and lay them out as shown here.

The smooth (closed) parts of the handles must be uppermost.
 Match up the joints:- the front joint has 2 pins on each face;- the middle joint has no pins;- the rear joint has one pin. Clip each joint together around its arm.



Four child WALKODILE®:

Please refer to the appropriate section of the separate Assembly Instructions.

2006 Red Island Ltd., AB42 1UA, UK.
 The images here and the designs of the products shown are the property of Red Island Ltd. and shall not be reproduced or copied without the prior consent in writing of the proprietor.
 The WALKODILE® child safety walker is protected by Patent Applications, Registered Designs, Registered Trademarks and Copyright in more that one country.
 ©2002-2006 Red Island Limited. International Patents applied for. Registered Designs EU 79041-0001, 367420-001 & GB3011881. US Patent 491114.
 Distributed by Discount School Supply, 1-800-627-2829, www.DiscountSchoolSupply.com

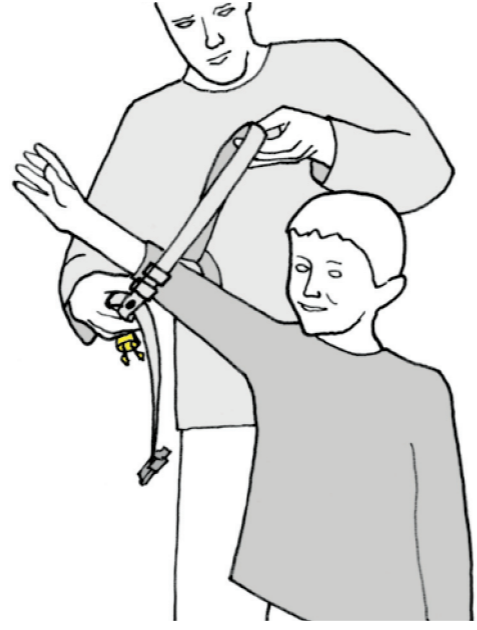
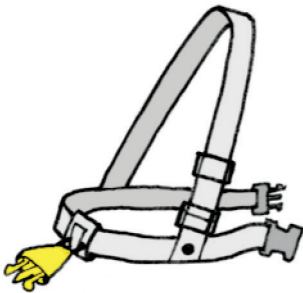
Keep these instructions in the WALKODILE® Rucksack

Put the Walkodile® harnesses on the children.

child safety walker

a) Prepare the Harnesses:

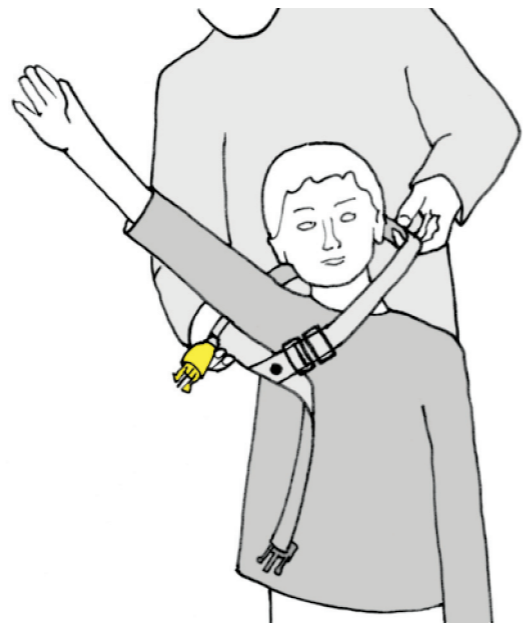
Undo the black waistband buckles.
Extend the waistband and shoulder straps to their maximum lengths.



b) Sort the children into pairs matched approximately by height.

Put a yellow clip and a green clip harness onto each pair.
Hold the harness by the top of the shoulder strap and by the clip.
The black button on the waistband goes to the front of the child.

Get the child to raise their arm that is on the same side as the clip.
Slip the shoulder strap over the upraised arm and head.
The shoulder strap lies diagonally across the child's chest.

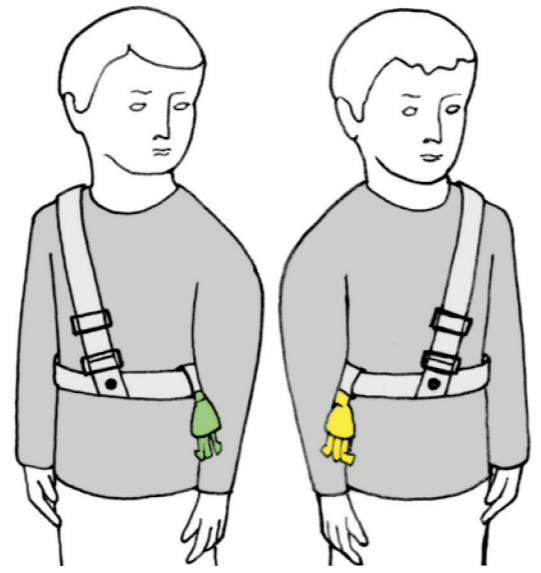


Fasten the black waistband buckle.
Adjust the lengths of the shoulder and waist straps
so they fit snugly - so you can slide your finger between the
harness & the child.

Adjust the position of the buckle on the waistband press studs
so that the clip lies centrally above the child's hip.

c) Colour check:

Make sure that the green clips are on the children's left hips,
and the yellow clips are on the children's right hips,
with the shoulder straps over their opposite shoulders.



Clip the children to Walkodile®

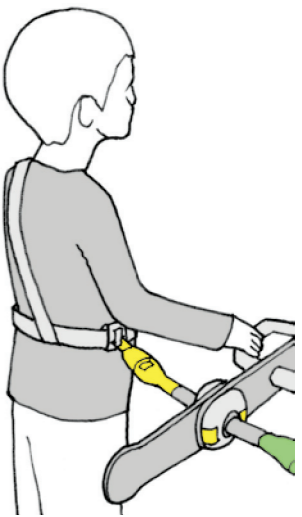
child safety walker

Place assembled WALKODILE® on the ground.

Stand the children alongside WALKODILE®:

- smallest pair at the front
- tallest pair at the rear
- those with green harness clips at the right
- those with yellow harness clips at the left

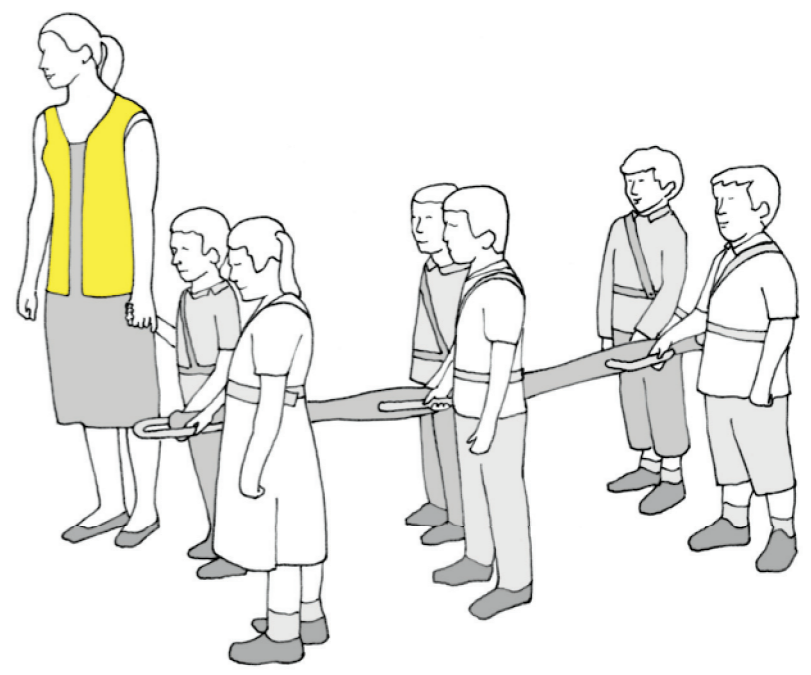
Connect a pair of children at a time!
Start at the front of WALKODILE® with the shortest pair
of children. Fasten their green and yellow harness clips
to the front most matching coloured clips on each side
of the device. Then fasten the mid sized pair of children
at the middle and then the tallest pair of children at the
rear of WALKODILE®.



Walking with one adult

The adult must hold the hand of the first child
on the side nearest the roadway,
between the child and any traffic.

Make sure that each child holds the handle in front
of them at all times, using their nearest hand.



Walking with two adults

The second adult should hold the hand of the last child
on the same side and behind the first adult,
between the children and any traffic.

Make sure that each child holds the handle in front
of them at all times, using their nearest hand.

